

6

5

4

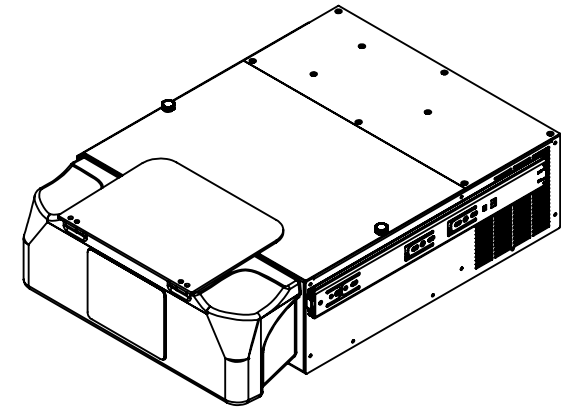
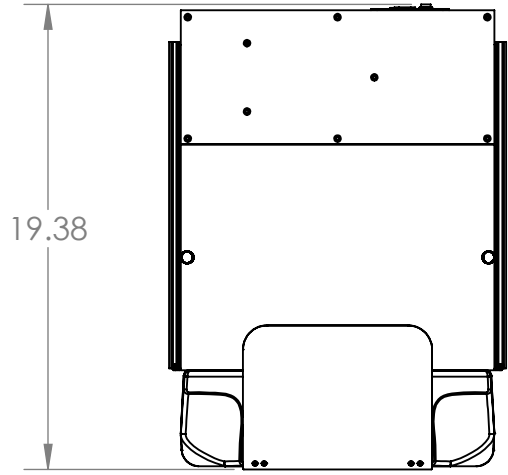
3

2

1

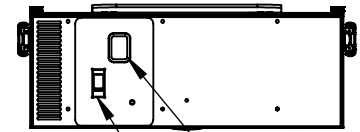
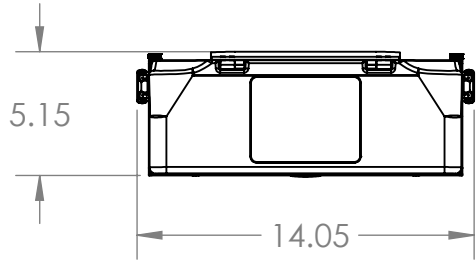
REVISIONS		DATE	APPROVED
ZONE	REV.	DESCRIPTION	

D



C

B



Power Inlet
On/Off Circuit
Breaker Switch

A

PROPRIETARY AND CONFIDENTIAL
THE INFORMATION CONTAINED IN THIS DRAWING IS THE SOLE PROPERTY OF VANIMAN MANUFACTURING COMPANY. ANY REPRODUCTION IN PART OR AS A WHOLE WITHOUT THE WRITTEN PERMISSION OF VANIMAN MANUFACTURING COMPANY IS PROHIBITED.

		DIMENSIONS ARE IN INCHES TOLERANCES: FRACTIONAL ±1/32 ANGULAR: ±1° ONE PLACE DECIMAL ±.05 TWO PLACE DECIMAL ±.03 THREE PLACE DECIMAL ±.005	NAME	DATE
			T.Acosta	7/18/2022
			CHECKED	
			ENG APPR.	
			MFG APPR.	
		MATERIAL	Q.A.	
		FINISH	DESCRIPTION: Overall Dimensions	
NEXT ASSY	USED ON		FILE DATE:	7/18/2022
APPLICATION	DO NOT SCALE DRAWING			

VANIMAN MANUFACTURING CO.

VANIMAN
MANUFACTURING CO.
A dba of VMC International, LLC

25799 Jefferson Ave. - Murrieta, CA 92562
phone: (760) 723-1498 - fax: (760)723-6990
e-mail:technical@vaniman.com

SIZE	DWG. NAME	REV.
A	Dental Drawer S	

SCALE:1:8 PART NO. **10451** SHEET 1 OF 1